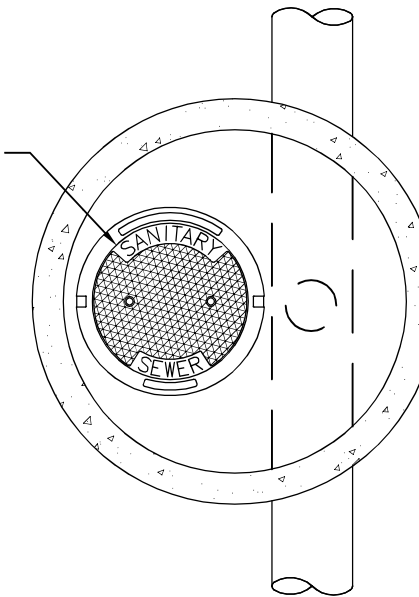
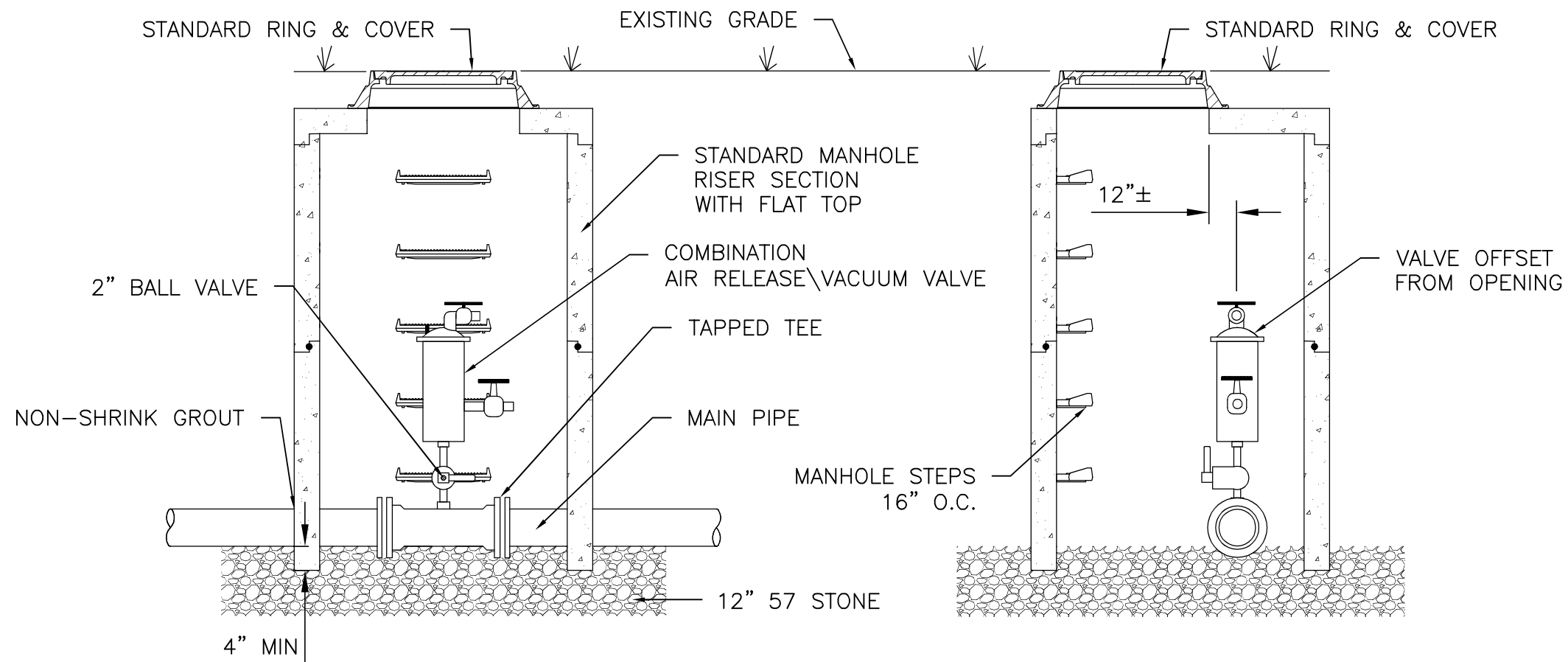


COVER LETTERING:
"SANITARY SEWER"



NOTES:

1. HEIGHT OF MANHOLE SHALL BE ADJUSTED TO ACCOMMODATE AIR RELEASE VALVE.
2. MANHOLES NOT ALLOWED IN SIDEWALK.



EFFECTIVE: DECEMBER 30, 2016



TOWN OF FUQUAY-VARINA
STANDARD DETAILS

**COMBINATION AIR RELEASE AND VACUUM
VALVE FOR SEWER FORCE MAINS**

DETAIL No.

160.03

SHEET 01 of 01