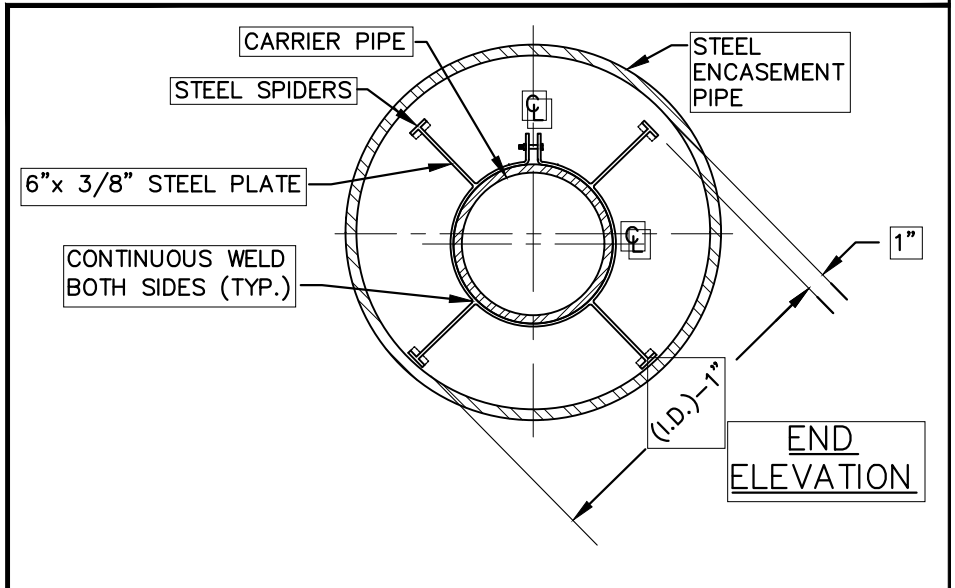


- NOTES:**
1. STEEL "SPIDERS" SHALL BE USED FOR SUPPORT OF THE CARRIER PIPE WITHIN THE CASING PIPE.
 2. A MINIMUM OF 2 SPIDERS PER JOINT OF CARRIER PIPE SHALL BE REQUIRED.
 3. THE SPIDERS SHALL BE SPACED EVENLY ALONG THE CARRIER PIPE SUCH THAT EACH SPIDER SUPPORTS THE SAME UNIT WEIGHT OF THE CARRIER MAIN.
 4. THE PROPOSED ENCASEMENT PIPE & CARRIER PIPE SHALL COMPLY WITH ALL APPLICABLE TOWN & OTHER JURISDICTIONAL REQUIREMENTS, WHICHEVER IS MORE STRINGENT.
 5. NO BLASTING ALLOWED IN RAILROAD RIGHT-OF-WAY.



EFFECTIVE: DECEMBER 15, 2017