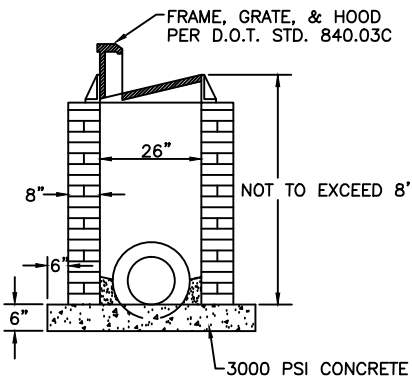
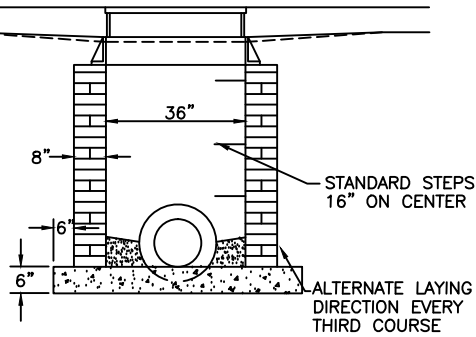


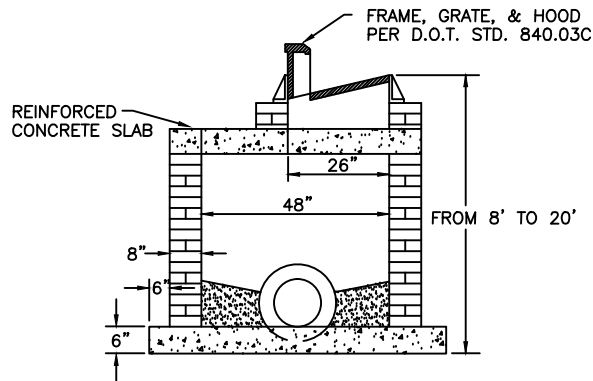
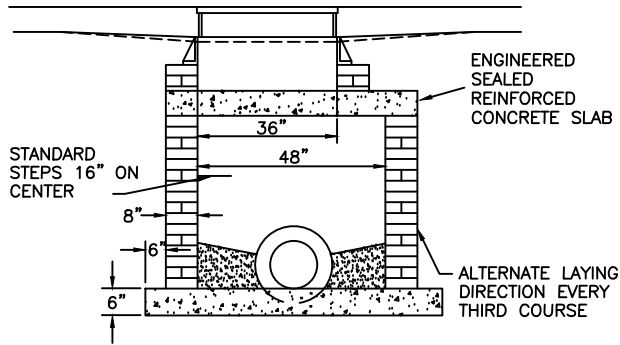
SHALLOW TYPE

(5 FEET OR LESS IN DEPTH)

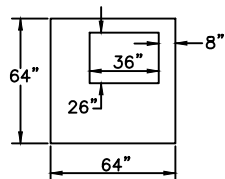


INTERMEDIATE TYPE (4'X4')

(5 FEET TO 20 FEET IN DEPTH)



SLAB DETAIL



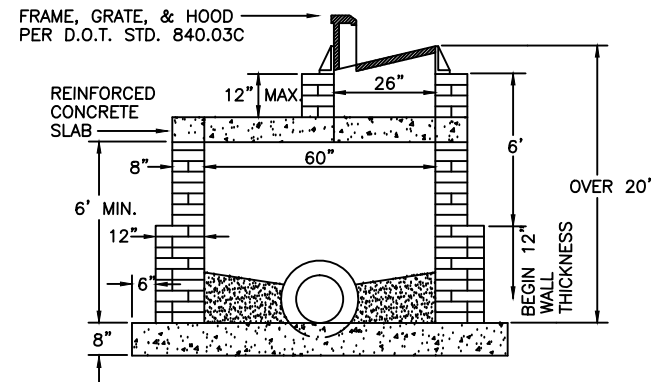
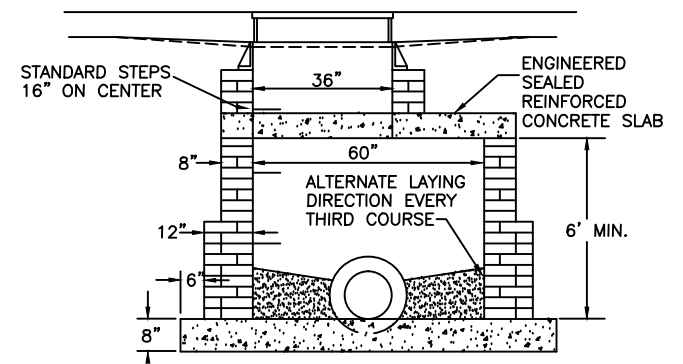
SLAB THICKNESS AND REINFORCEMENT FOR SOIL AND TRAFFIC LOADING BY AN ENGINEER

NOTES:

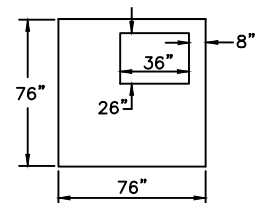
OVER 8' IN DEPTH, 12" WALL THICKNESS TO 6' FROM TOP OF WALL AND 8" BOTTOM SLAB SHALL BE USED.

DEEP TYPE (5'X5')

(OVER 20 FEET IN DEPTH)



SLAB DETAIL



SLAB THICKNESS AND REINFORCEMENT FOR SOIL AND TRAFFIC LOADING BY AN ENGINEER

DRAWING NOT TO SCALE

EFFECTIVE: DECEMBER 30, 2016